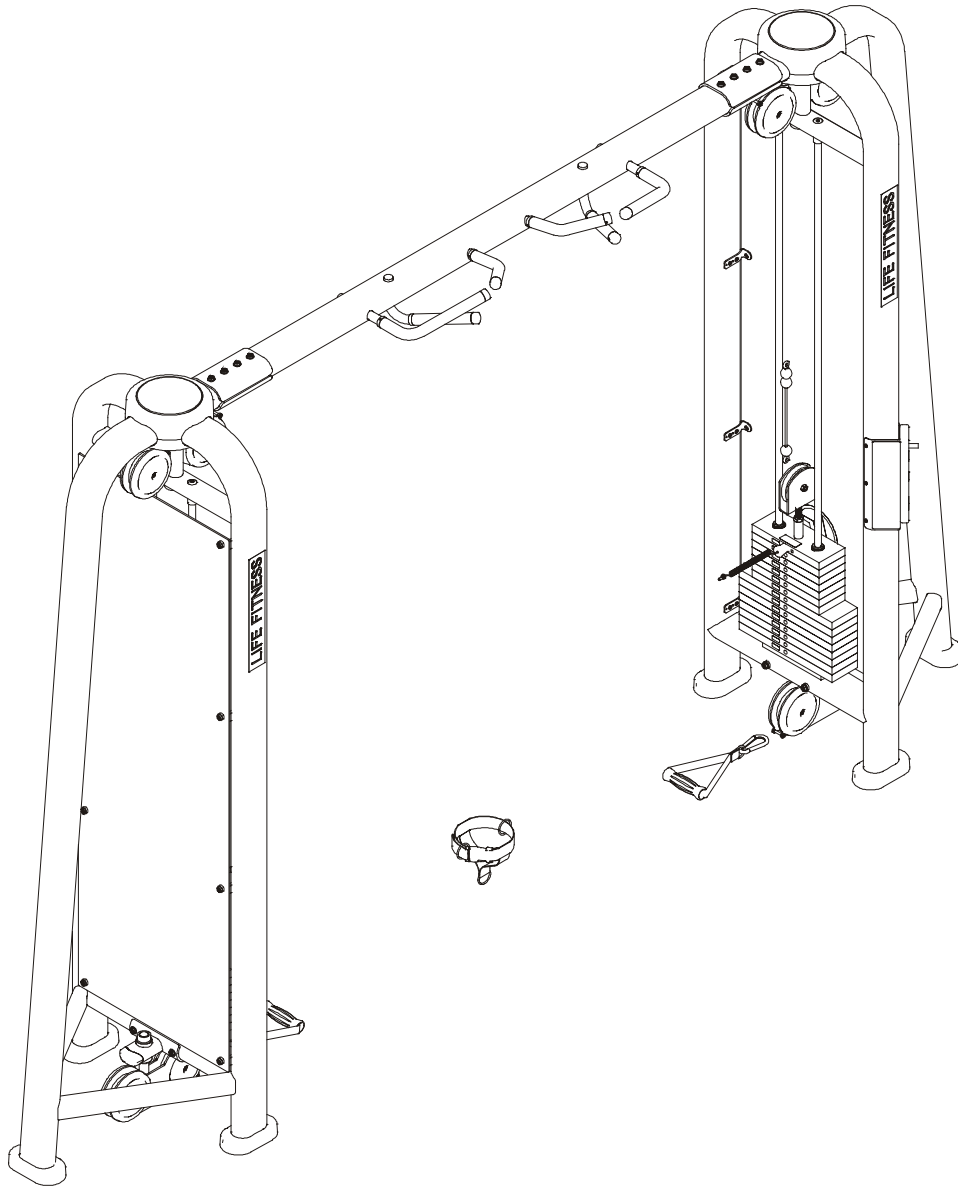


LifeFitness

CABLE MOTION FIXED CROSSOVER



Customer Support Services **PARTS MANUAL**

CMFCO - CABLE MOTION FIXED CROSSOVER

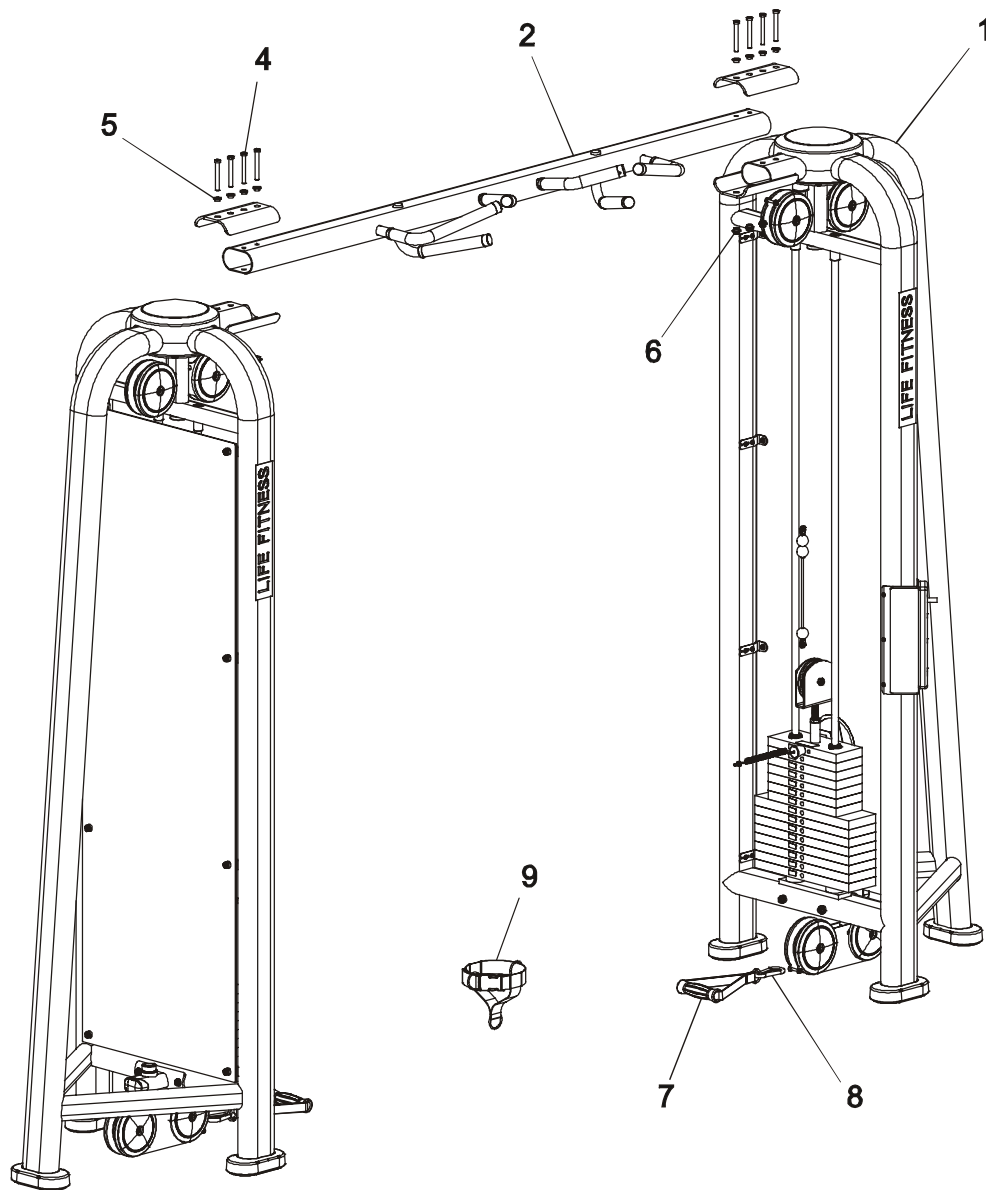
Notes:

CMFCO - CABLE MOTION FIXED CROSSOVER

Contents

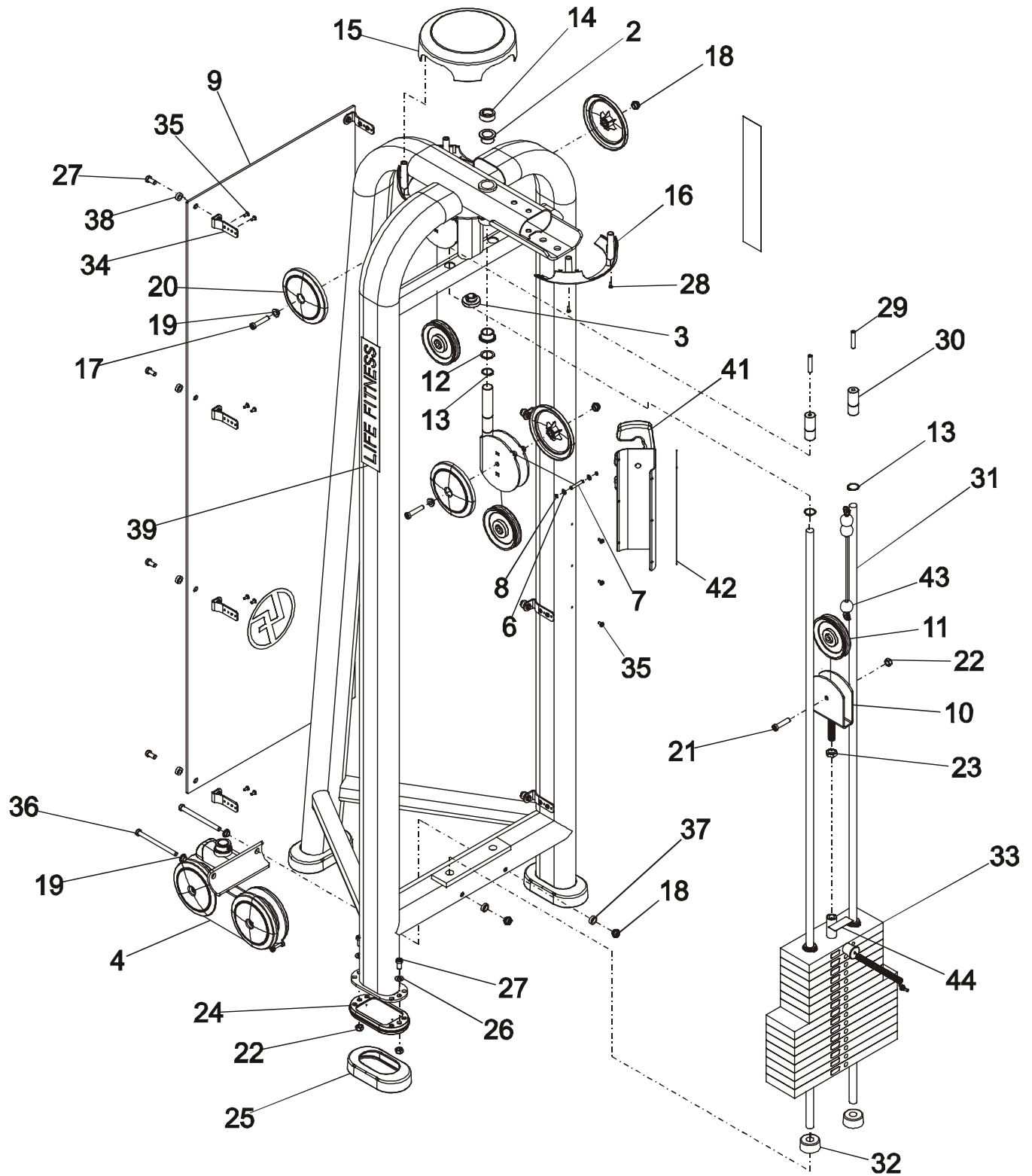
	PAGE
COMPONENT ASSEMBLY	4
TOWER ASSEMBLY	5
TOWER ASSEMBLY CALLOUTS	6
CROSSOVER BOTTOM ASSEMBLY	7
CROSSOVER BEAM ASSEMBLY	8
WEIGHT STACK ASSEMBLY 190 LBS	9
NOTES	10

CMFCO - CABLE MOTION FIXED CROSSOVER COMPONENT ASSEMBLY



Item	Part No	Qty	Description
1	7641401	2	ASSY, CM/MJFCO TOWER
2	7640601	1	ASSY, MJ X-BEAM
4	3236213	8	M10 X 1.5 X 80 HXS SOC CS SS
5	7630101	8	RETAINER, CM/MJ, PULLEY
6	7335401	8	NUT, SOCKET HEAD M10 X 1.5 SS
7	7647801	2	HANDLE, CM/MJ, SHORT STRAP
8	3250201	2	SNAP LINK, 3/8" DIA
9	7734701	2	STRAP, 4-WAY ANKLE

CMFCO - CABLE MOTION FIXED CROSSOVER TOWER ASSEMBLY

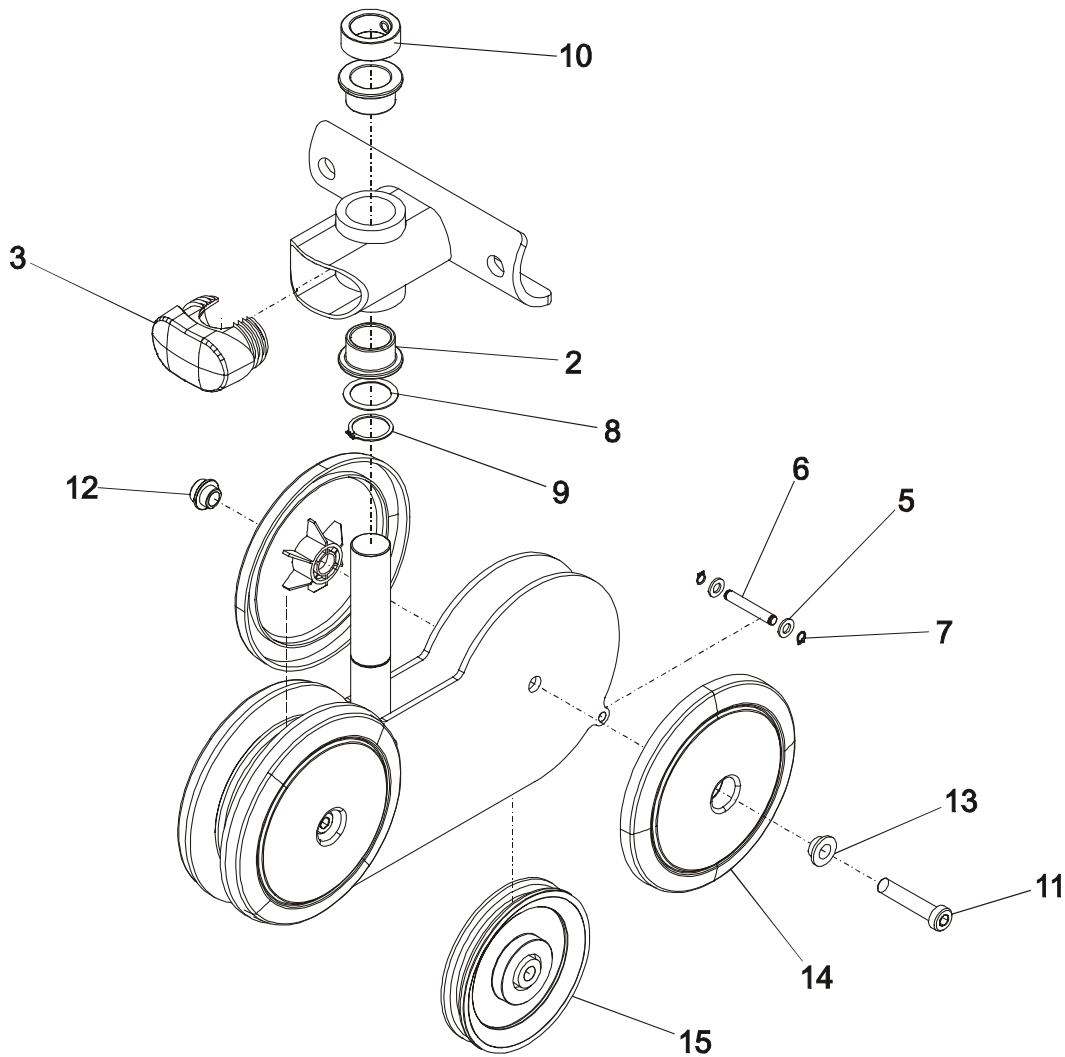


CMFCO - CABLE MOTION FIXED CROSSOVER TOWER ASSEMBLY CALLOUTS

Item	Part No	Qty	Description
2	3104903	2	BRNG, FLANGE 1.00 ID X 1.25 OD
3	7642301	1	BUMPER, CM/MJ, PLUG
4	7636101	1	ASSY, MJ X-OVER BOTTOM
6	3241801	2	WASHER, FLAT 6MM SS
7	7641301	1	SHAFT, CM/MJ, BALL STOP
8	3232401	2	RNG, BRE .230,5100-25, ST,PP,B
9	7642101	1	SHIELD, CM/MJ REAR
10	7642295	1	WLDMT, CM/MJ STK PULLEY SG
11	3237801	3	PULLEY, 4.5" OD
12	3225005	1	WSH 1.031-1.375-031 SPEC ST ZN
13	3232421	3	RING:BRE .940 5100-100 ST PP B
14	7435301	1	COLLAR, SHAFT 1.020 ID
15	7629201	1	COVER, CENTER TOP
16	7629801	2	COVER, CENTER BOTTOM
17	3236207	2	M10 X 1.5 X 50 HXS SOC CS SS
18	7335401	4	NUT, SOCKET HEAD M10 X 1.5 SS
19	7630101	4	RETAINER, CM/MJ, PULLEY
20	7629901	4	COVER, PULLEY-BOLTED FULL
21	3236206	1	M10 X 1.5 X 45 HXS SOC CS SS
22	3236801	7	NUT, NYLOCK M10 X 1.5 SS
23	3236902	1	NUT, HEX JAM M16 X 2 SS
24	7334001	3	FOOT, 2.50 X 4.49 FLOV
25	7340201	3	COVER, FOOT-STRAIGHT
26	3236601	6	WASHER,3/8 SAE STAINLESS STEEL
27	3236201	8	M10 X 1.5 X 20 HXS SOC CS SS
28	3236501	4	M4 X 0.7 PHIL PAN MS ST ZN
29	3240502	2	M10 X 1.5 X 50 HXS NO CUP ST BO
30	7634401	2	RETAINER, CM/MJ, GUIDE ROD
31	7328618	2	GUIDE ROD, .75 OD SOLID X 71.63
32	7352101	2	CUSHION, WEIGHT STACK
33	7647501	1	ASSY, 190 LB STACK
34	7642095	8	BRKT, CM/MJ, REAR SHROUD SG
35	3239101	22	SCREW,M5 X .8 X 10 PHL PAN TT ST BZ
36	3236220	2	M10 X 1.5 X 130 HXS SOC CS SS
37	7634701	2	SPACER, CM/MJ, .565 X .815
38	7385201	8	SPACER, .406 X .750 X .250 SS
39	7348001	2	LABEL, LIFE FIT 2-1/2 X 15 BLK
41	7711501	1	WEIGHT, 5 LB. ADD-ON
42	7733901	1	LABEL, PLACARD CM/MJ CROSS OVER
43	7732202	1	CABLE, CM/MJFCO X 222-1/4
44	7744501	1	LABEL, WEIGHT AT HANDLE

CMFCO - CABLE MOTION FIXED CROSSOVER

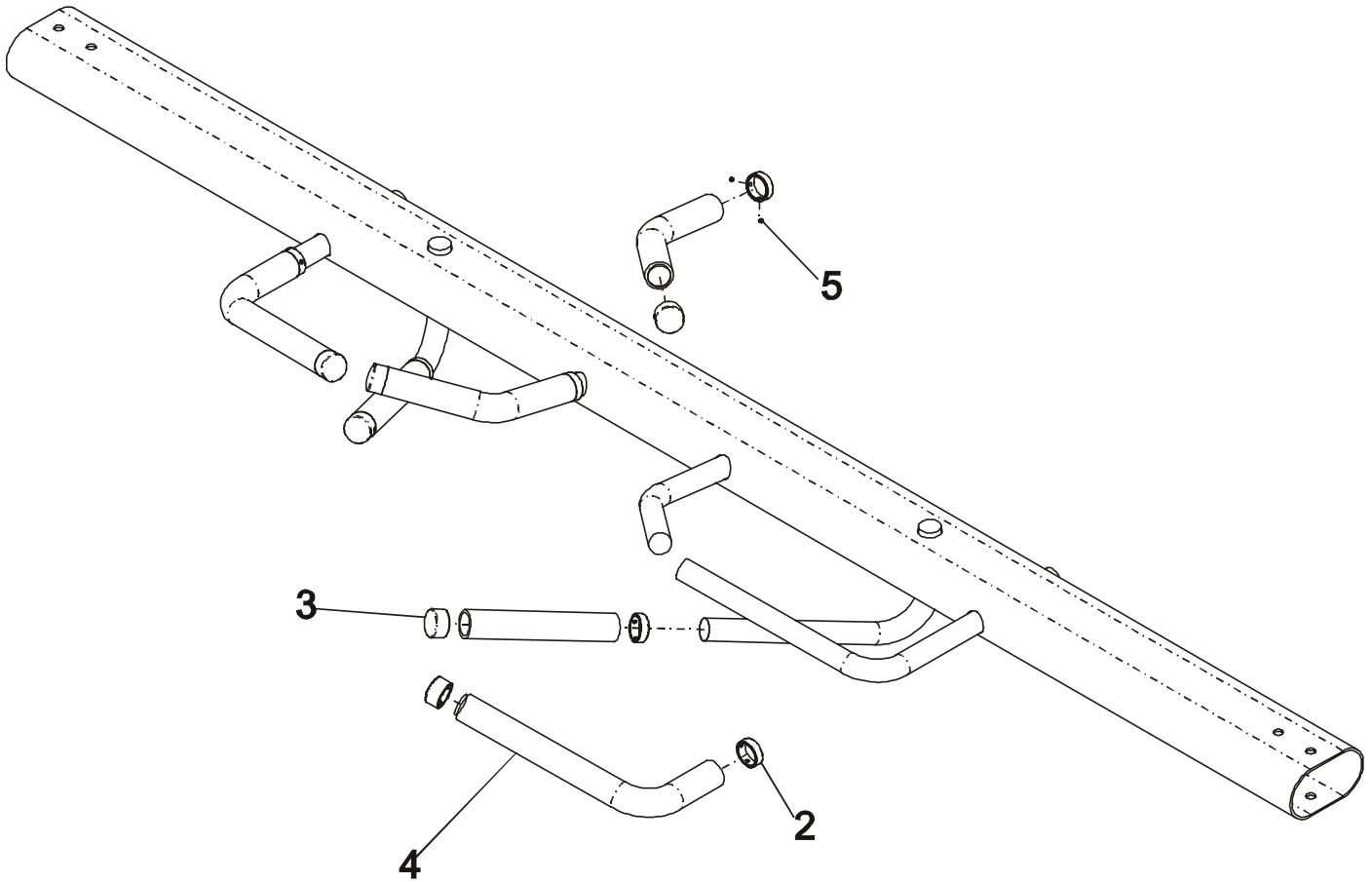
CROSSOVER BOTTOM ASSEMBLY



Item	Part No	Qty	Description
2	3104903	2	BRNG, FLANGE 1.00 ID X 1.25 OD
3	7333801	1	CAP, SMALL FLOV-END
5	3241801	2	WASHER, FLAT 6MM SS
6	7641301	1	SHAFT, CM/MJ, BALL STOP
7	3232401	2	RNG, BRE .230,5100-25, ST,PP,B
8	3225005	1	WSH 1.031-1.375-031 SPEC ST ZN
9	3232421	1	RING:BRE .940 5100-100 ST PP B
10	7435301	1	COLLAR, SHAFT 1.020 ID
11	3236207	2	M10 X 1.5 X 50 HXS SOC CS SS
12	7335401	2	NUT, SOCKET HEAD M10 X 1.5 SS
13	7630101	2	RETAINER, CM/MJ, PULLEY
14	7629901	4	COVER, PULLEY-BOLTED FULL
15	3237801	2	PULLEY, 4.5" OD

CMFCO - CABLE MOTION FIXED CROSSOVER

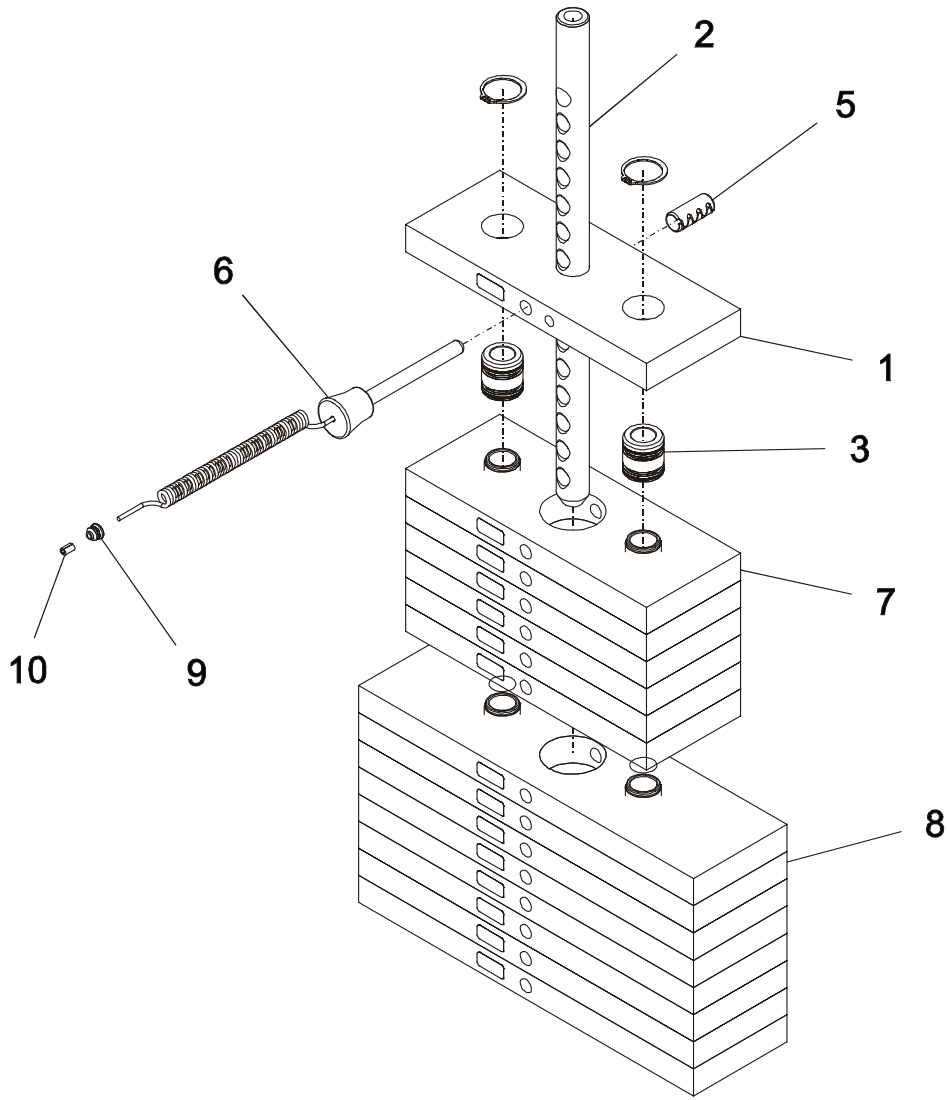
CROSSOVER BEAM ASSEMBLY



Item	Part No	Qty	Description
2	7662801	6	RING, GRIP 1.25 OD
3	7662901	6	CAP, GRIP 1.25 OD
4	3235801	1	GRIP, 1.25 OD OPEN END
5	3247701	24	M4 X 0.7 X 3 HZS NO CUP ST BO

CMFCO - CABLE MOTION FIXED CROSSOVER

WEIGHT STACK ASSEMBLY 190 LBS



Item	Part No	Qty	Description
1	7353901	1	HEADPLATE, WT STACK
2	7352601	1	BAYONET, 14 HOLE PRO2
3	7338001	2	BUSHING, HEADPLATE
5	3236001	1	BUSHING, SPRING PIN
6	7353001	1	ASSY, SELECTOR PIN
7	7353701	6	WEIGHT PLATE, 10 LB
8	7353801	8	WEIGHT PLATE, 15 LB
9	7356501	1	PLUG, LANYARD ATTACHMENT
10	7523601	1	CRIMP, CABLE

CMFCO - CABLE MOTION FIXED CROSSOVER
NOTES
